

## LFP403/ST DC Stepper Motor Peristaltic Pump

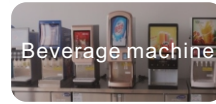
Color X6

### FEATURES

- Support PLC control, RS485 communication
- Real-time start and stop, adjustable speed
- Positive and negative rotation
- Low noise, quiet and stable
- Installation method can be customized



### APPLICATION INDUSTRY



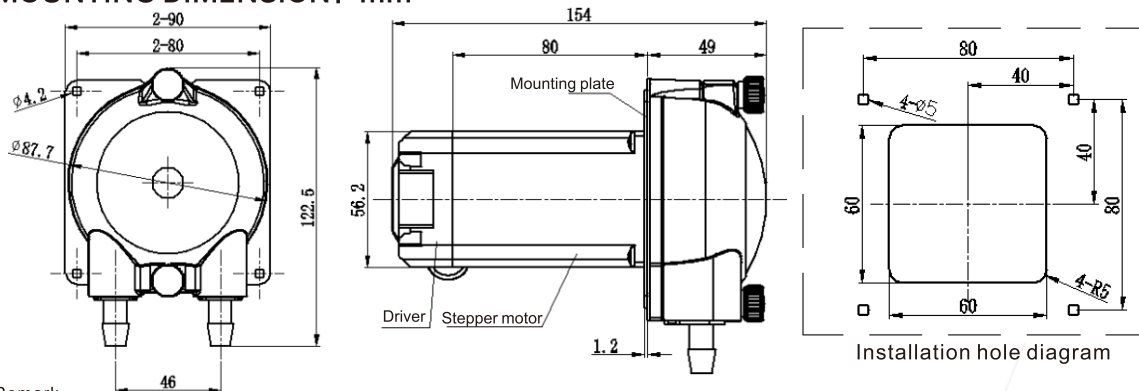
### SPECIFICATIONS

Model	Installation Method	Motor Type	Control Method	Function	Working Voltage	Power	Weight	Working Environment	Rollers
P403ST	Stainless steel mounting plate as standard (customizable)	Stepper motor	Driver control (Optional with Driver PLC control)	Precise adjustable flow control	DC24V	≤24W	1350g	Temperature 0-45°C, Relative Humidity <85%RH	Standard with 2 rollers+ 2 training wheels

### FLOW RATE: ml/min

Voltage	Flow Range	Tube Size	Tube Type
DC24V	10~850	25#	BPT Tube/Silicone Tube/A60-F/Viton Tube
	10~1400	17#	
	10~2050	18#	

### MOUNTING DIMENSION: mm



#### Remark

1. The above flow parameters are tested under the conditions of room temperature 23°C, standard atmospheric pressure, clean water, suction lift 0.2m, lift 0, and no pressure. For reference only.
2. Pump flow rate can be affected by viscosity, density, medium temperature, ambient temperature, inlet and outlet pressure, suction lift and lift of pump. To ensure the accuracy of the pump, it is necessary to keep the above factors without significant changes.